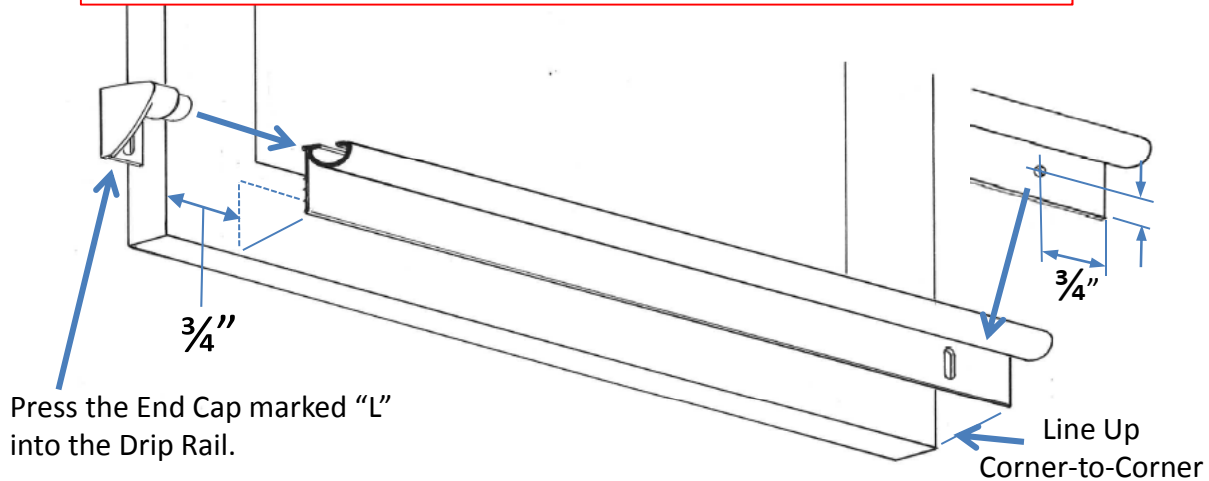


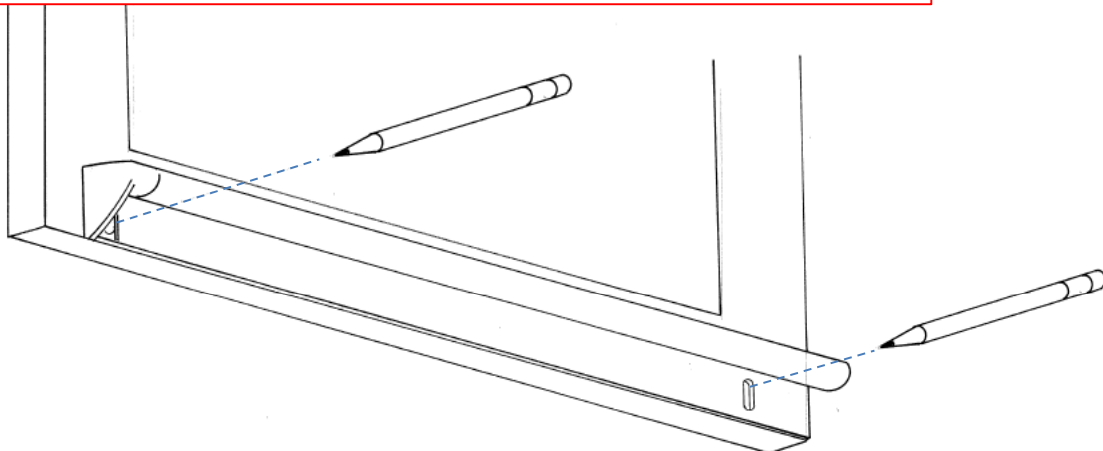
# Installation Instructions – Waterfall Adjustable Drip Rail

Follow these instructions to install the drip rail on a Hinge-Left Door. Reverse the hand for a Hinge-Right Door.

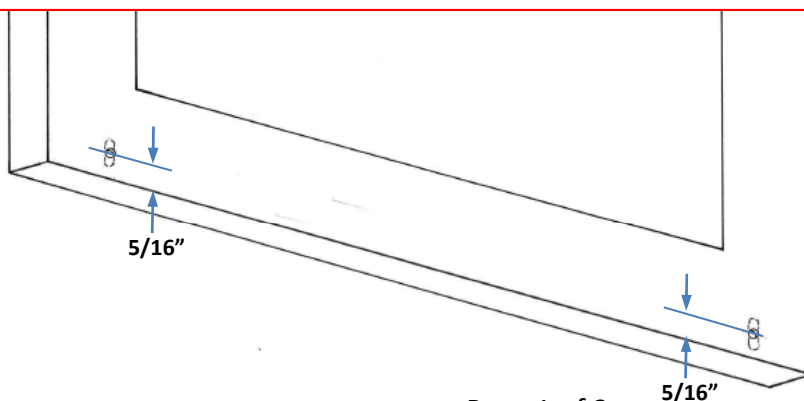
- 1 Cut the W-589 Drip Rail  $\frac{3}{4}$ " shorter than the bottom rail of the door. If the Drip includes factory-punched slots, cut the "strike" end of the Drip leaving the slot on the "hinge" end. If the Drip does not include slots, drill a  $\frac{7}{64}$ " diameter hole as shown.



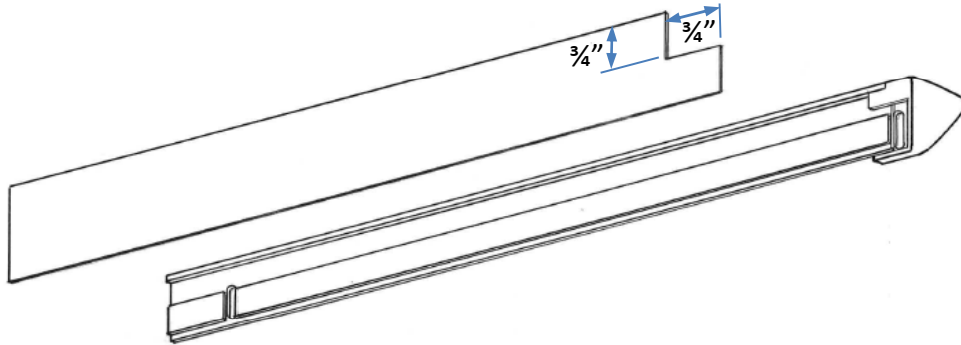
- 2 Position the drip on the bottom of the door as shown and mark the slot in the rail and the slot in the end cap.



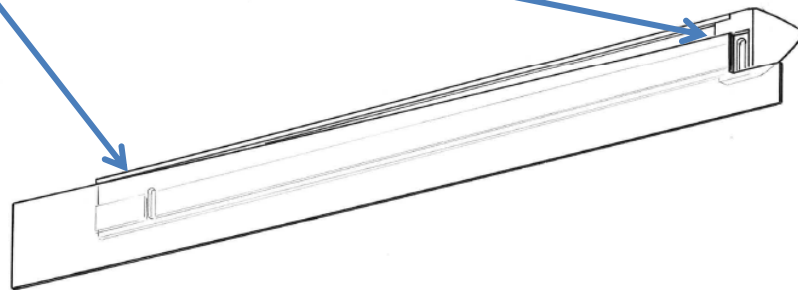
- 3 Drill two  $\frac{1}{8}$ " diameter holes centered in the slots spaced  $\frac{5}{16}$ " from the bottom of the door.



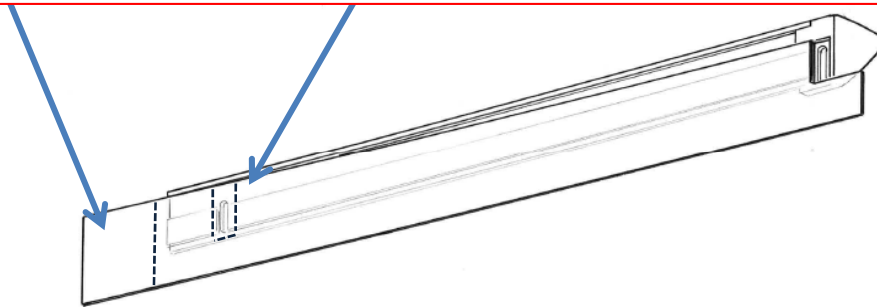
- 4 Notch the "strike" end of the V-200 vinyl as shown. Peel the protective paper off the double stick tape.



- 5 Stretch the vinyl slightly for straightness. Press the right corner onto the tape just below the tab on the end cap. Position the left-top of the vinyl under the lip on the left end of the drip rail.



- 6 Trim the vinyl 1/4" longer than the rail (for Model 79 trim flush with the end of the rail). Use a razor knife to cut away the vinyl around the slot.



- 7 Attach the drip to the door with two #6x3/8" Truss Head Screws.\* After installing the door, loosen the screws and adjust the position of the drip until the vinyl just contacts the curb. Run a bead of silicone caulking across the top of the drip rail. \*Note-drip may also be attached after the door is installed.

