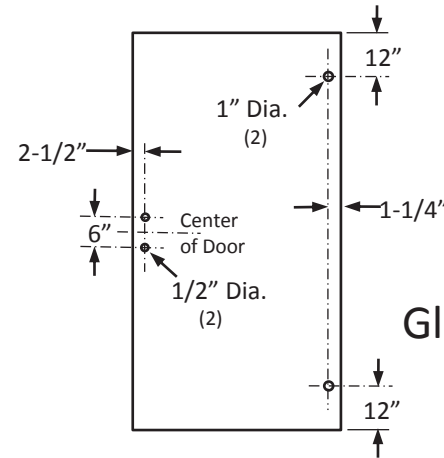
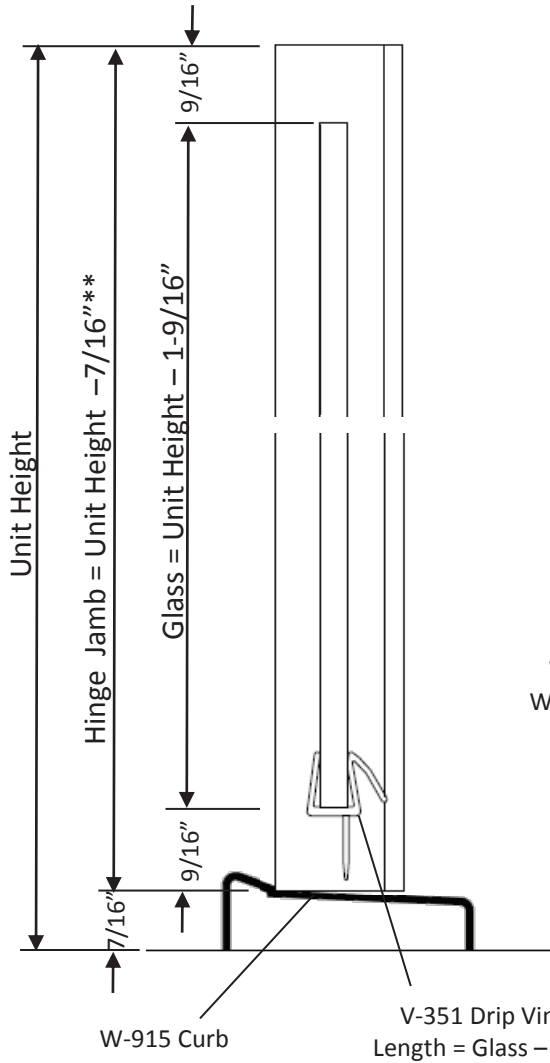
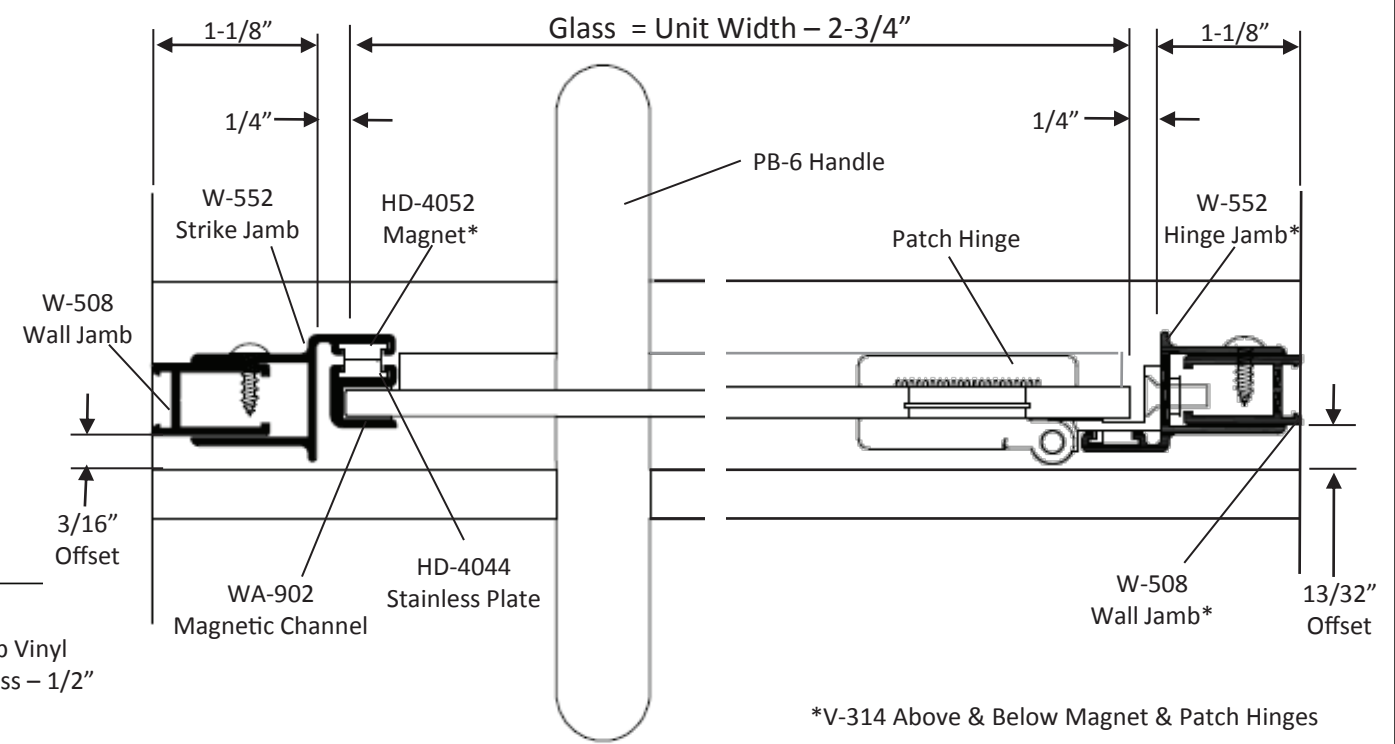


** Strike Jamb & W-508 = Unit Height - 1"
If Door Is Handed, Cut 9/16" Off Top of Hinge Jamb



Stock Glass Size	Door Size
25-1/2" x 68-7/8"	28-1/4" x 70-7/16"
29-1/2" x 68-7/8"	32-1/4" x 70-7/16"
25-1/2" x 76-7/8"	28-1/4" x 78-7/16"

Glass Detail



*V-314 Above & Below Magnet & Patch Hinges