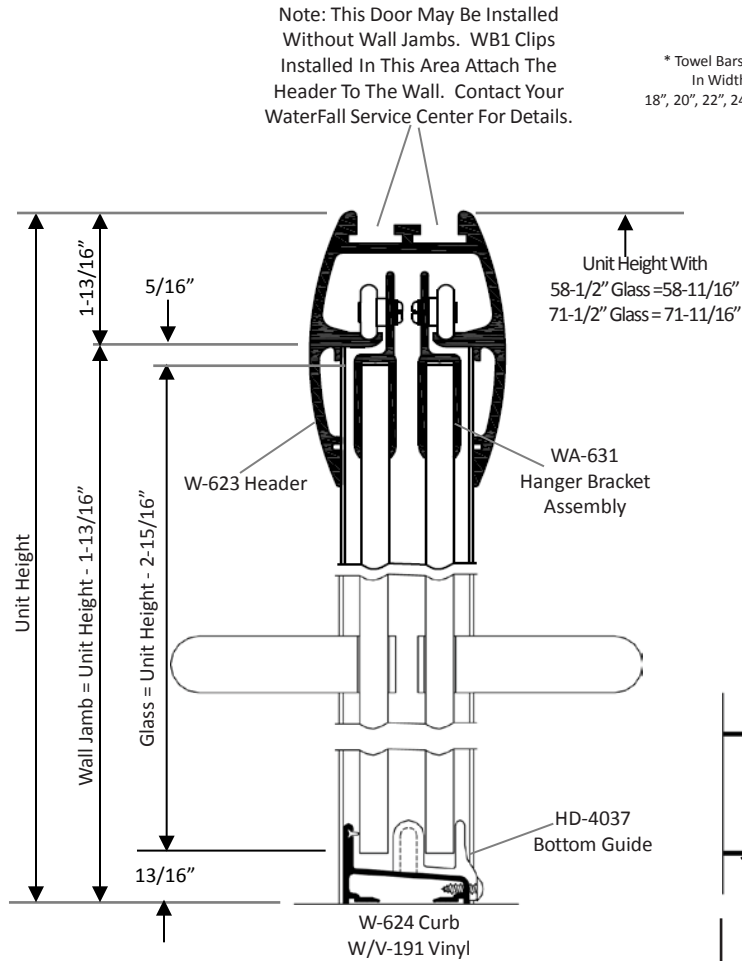


WaterFall bath enclosures

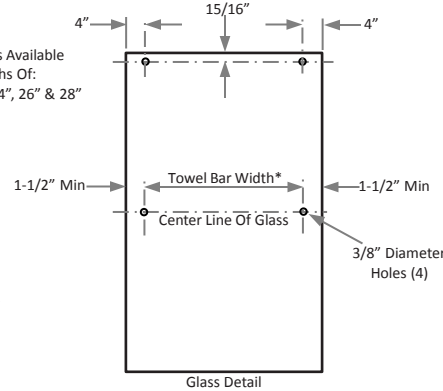
Frameless Heavy Glass Slider

Model 10/11

Note: This Door May Be Installed Without Wall Jamb. WB1 Clips Installed In This Area Attach The Header To The Wall. Contact Your WaterFall Service Center For Details.



* Towel Bars Available In Widths Of: 18", 20", 22", 24", 26" & 28"



Stock Sizes Available from Inventory:

**Model 10
58-11/16" Tall**

Unit Size	Fits	Glass Size	Towel Bar Size
54" x 58-1/2"	52" to 55"	27-1/4" x 55-3/4"	22"
57" x 58-1/2"	55" to 58"	28-3/4" x 55-3/4"	22"
60" x 58-1/2"	58" to 61"	30-1/4" x 55-3/4"	24"
63" x 58-1/2"	61" to 64"	31-3/4" x 55-3/4"	26"
66" x 58-1/2"	64" to 67"	33-1/4" x 55-3/4"	28"

**Model 11
71-11/16" Tall**

Unit Size	Fits	Glass Size	Towel Bar Size
48" x 71-1/2"	46" to 49"	24-1/4" x 68-3/4"	18
51" x 71-1/2"	49" to 52"	25-3/4" x 68-3/4"	20
54" x 71-1/2"	52" to 55"	27-1/4" x 68-3/4"	22
57" x 71-1/2"	55" to 58"	28-3/4" x 68-3/4"	22
60" x 71-1/2"	58" to 61"	30-1/4" x 68-3/4"	24
63" x 71-1/2"	61" to 64"	31-3/4" x 68-3/4"	26
66" x 71-1/2"	64" to 67"	33-1/4" x 68-3/4"	28

Stock Glass is 3/8" Clear Tempered with Flat-Polished Edges.
Other Sizes and Patterns available on special order.

