

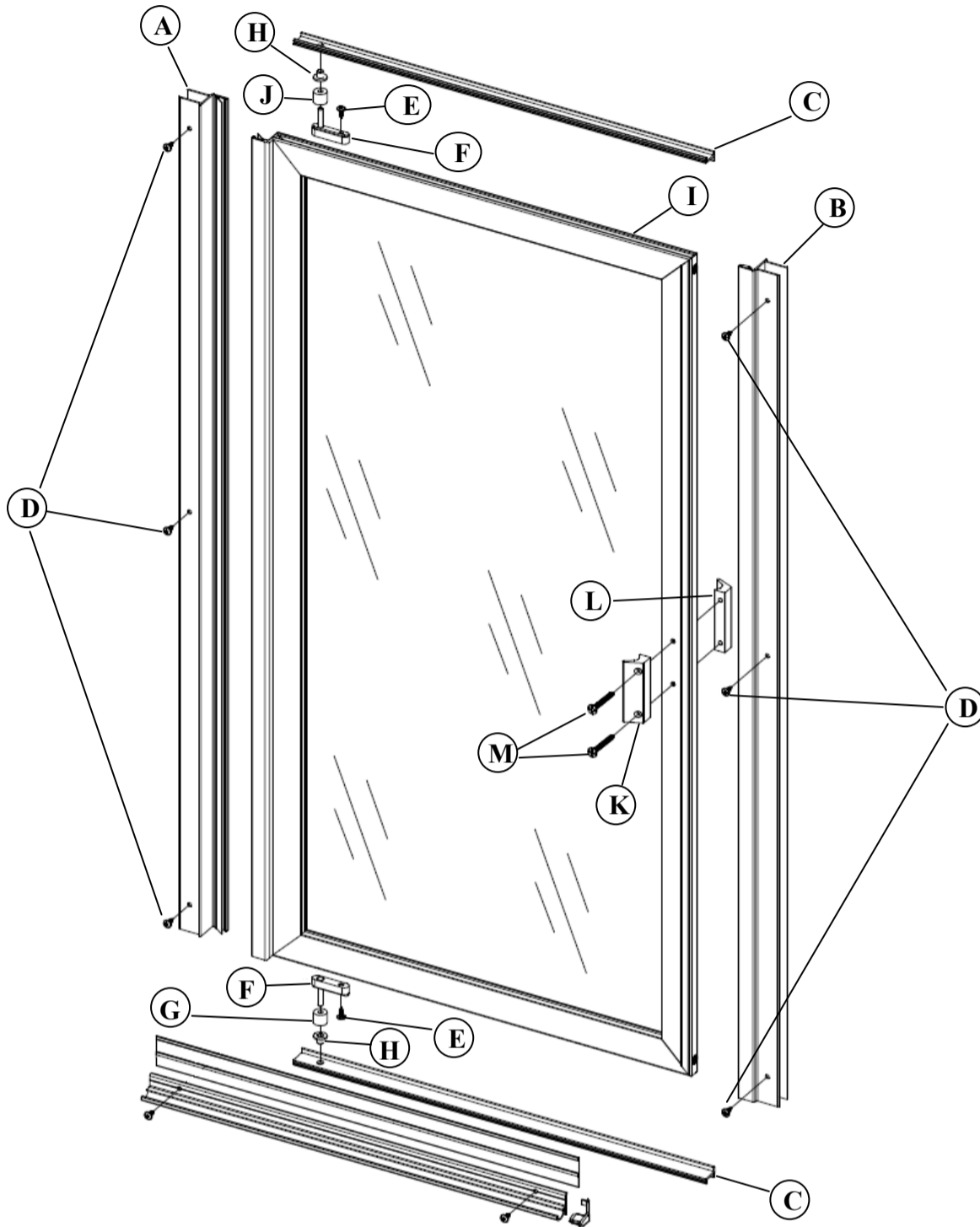
# Waterfall

bath enclosures

## Model 79 Door Panel For Frames 01, 02, 03, 04 & 05 Installation Instructions

Installation Tools Required: Tape Measure, Masking Tape, Level, #2 Phillips Screwdriver, Drill with 1/8" and 3/16" bits, mallet or hammer, wood block, razor or sharp knife, hacksaw, pencil, clear silicone caulking.

Optional: Miter Box, File and Center-Punch.

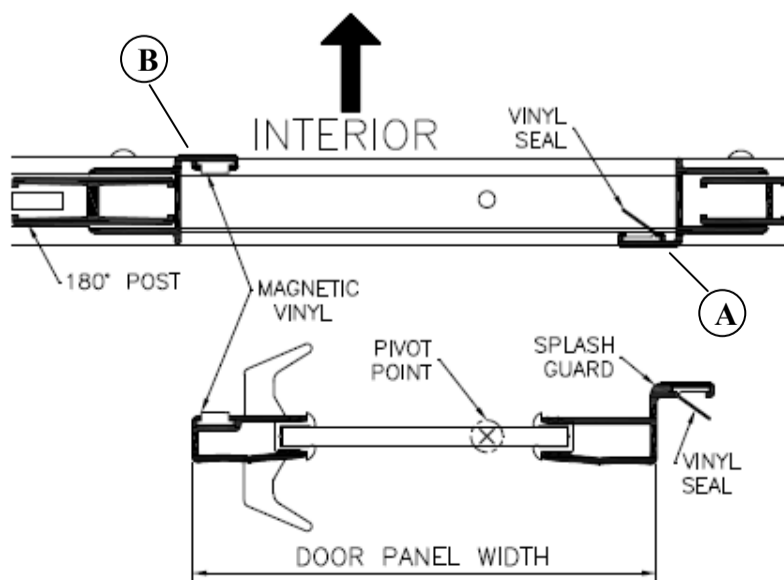


**1** The Waterfall Model 79 Door can be used with any Waterfall stall frame configuration. Refer to the frame instruction for proper handing of the door in the frame.

**Caution:** Doors must always open outward.

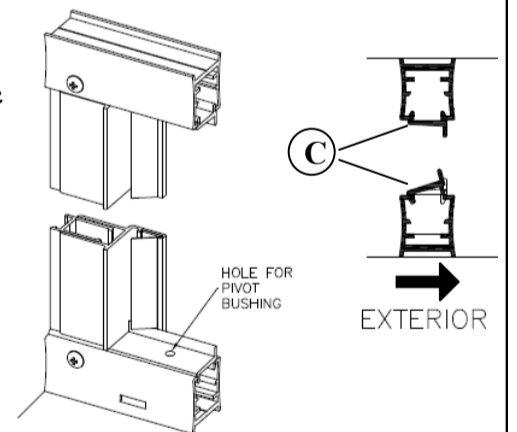
**2** Press the pivot jamb [A] and strike jamb [B] over the appropriate posts (180°, 90°, or 135° posts) or wall jamb as determined by the door hand. (180° post shown in the illustration.)

NOTE: The magnetic strip on the strike jamb must face the exterior and the clear vinyl seal on the pivot jamb must face the interior.



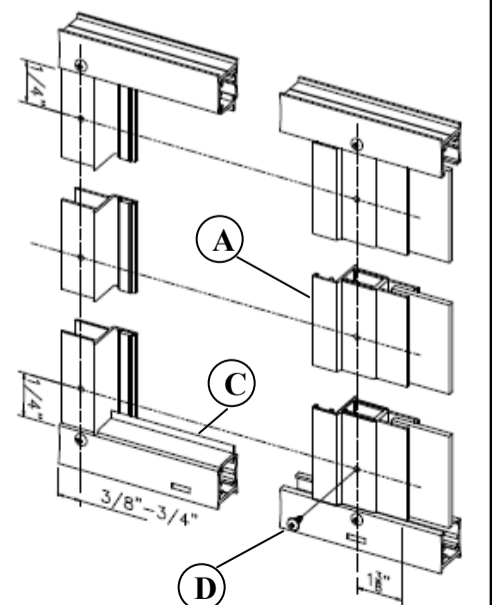
**3** Snap the fillers [C] into the frame curb and header between the door jambs. Be sure the raise lip on the filler is to the exterior and the pivot holes are on the side of the pivot jamb.

Center the curb filler between the pivot and strike jambs. Hold in place with masking tape.



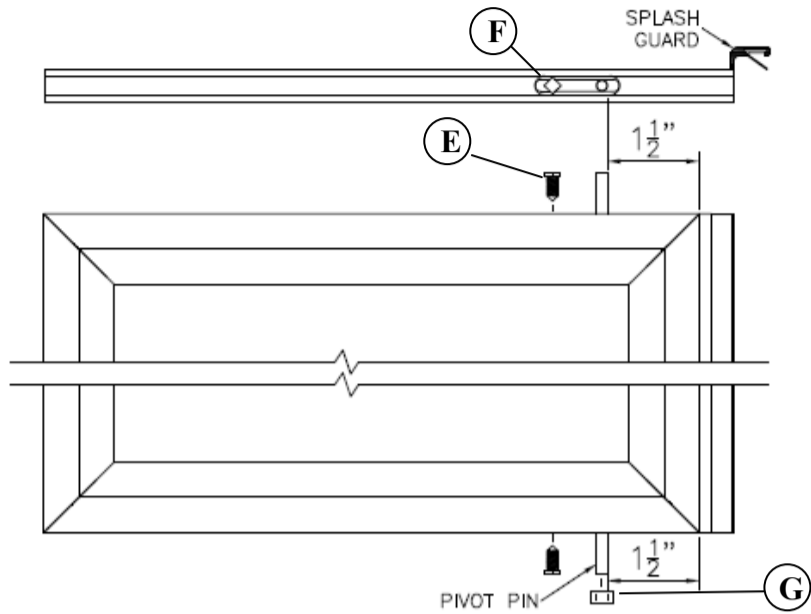
**4** Pull the bottom of the pivot jamb [A] tight to the curb filler [C] and plumb the jamb. Drill two 1/8" holes through the pivot jamb and into the wall jamb as shown in the illustration. Drill a third hole centered between the two. Enlarge the outer holes for screw clearance with a 3/16" bit. Attach the jambs with three #8 x 1/4" truss head screws [D].

Slide the header filler tight against the pivot jamb. Push the strike jamb [D] tight against both fillers. With the pivot jamb plumb this will plumb the strike jamb. Attach the strike jamb in the same manner as the pivot jamb.



**5** Position the pivot pins 1 1/2" from the pivot side of the door panel. This is the side opposite the magnetic strip. Tighten the square head set screws [E] finger tight plus 1/4 turn to prevent the pivot blocks [F] from moving. Use a 3/16" wrench (not supplied) for the screw heads.

Press the white nylon spacer [G] over the bottom pivot pin.

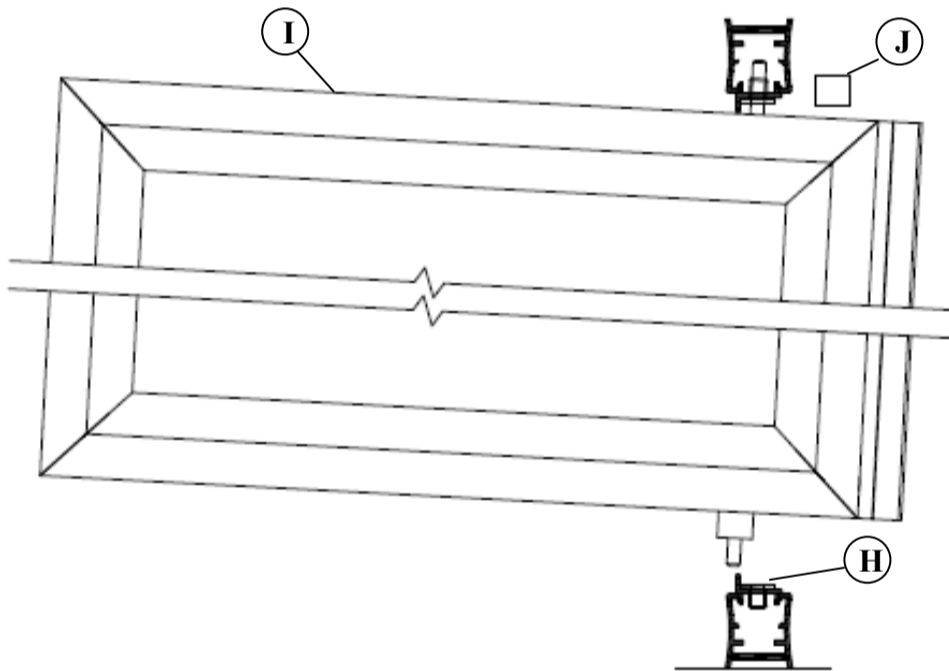


For drip rail installation refer to separate instruction sheets Adjustable Drip Installation or Standard Drip Installation.

Refer to the frame instruction for completion of the unit installation.

Clean your new Waterfall Enclosures with a soft cloth and a non-abrasive cleaner with a neutral Ph. Do not use acid based cleaners, vinegar or scouring pads to clean your unit.

**6** Insert the two nylon pivot bushings [H] into the head and curb filler pivot holes. Lift the door panel [I] and insert the top pivot pin into the pivot bushing in the header filler. Next insert the bottom pivot pin into the pivot bushing in the curb filler. It may be necessary to remove the header attachment screws and lift the header slightly to install the door. With the door in place snap the safety washer [J] onto the top pivot pin between the door panel and the pivot bushing. This prevents accidental dislodging of the door.



**7** Attach the interior door handle [K] and the exterior door handle [L] to the door with two #6-32 x 1 1/4" round head screws [M].

