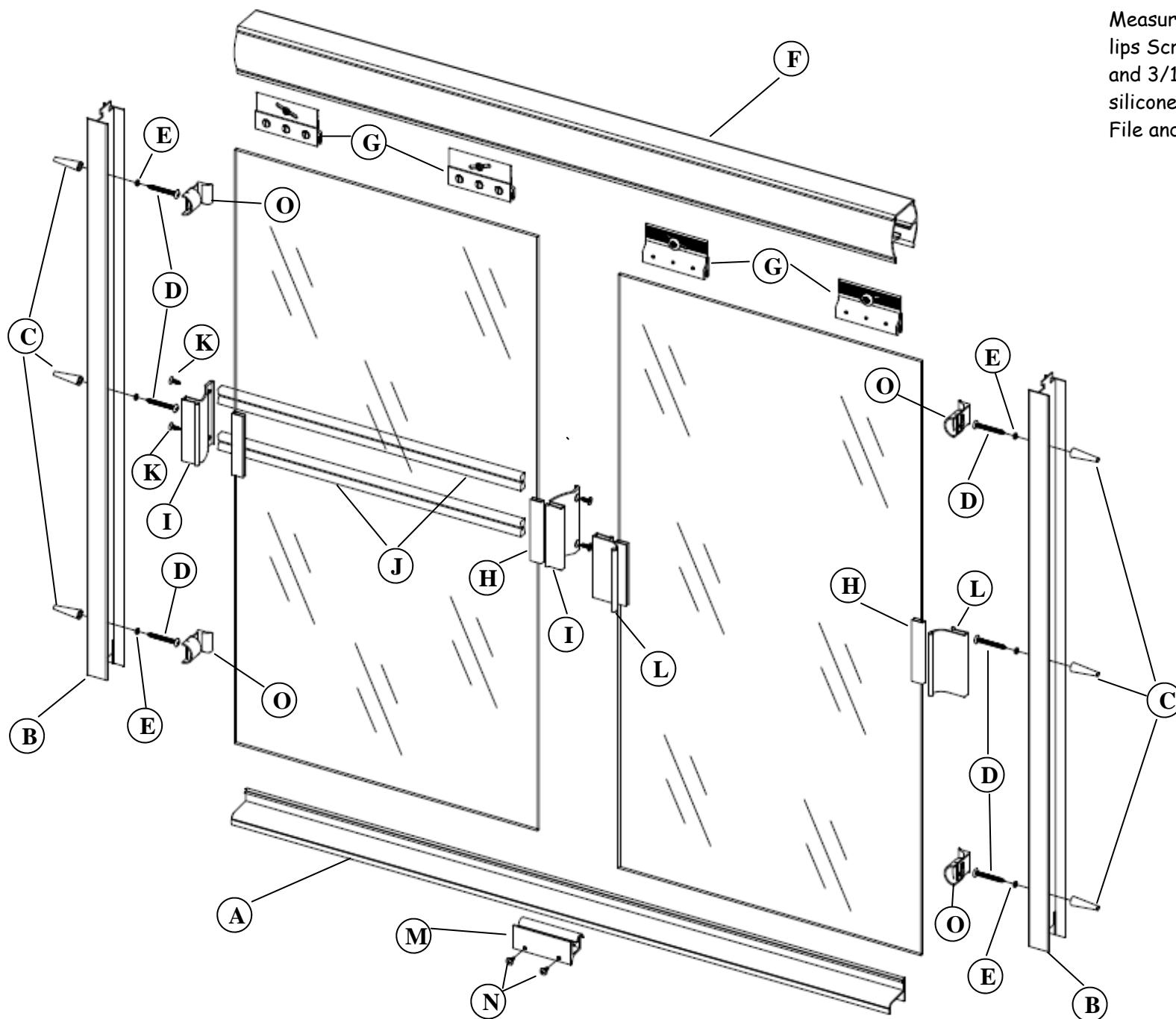


Water Fall

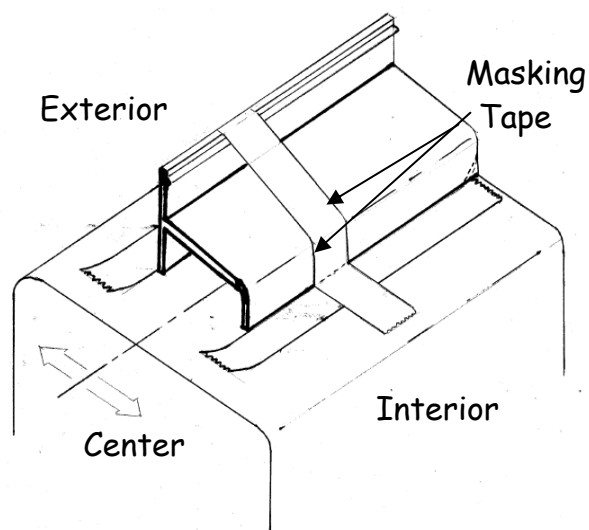
bath enclosures

Model 34C/35C Frameless Two Panel Sliding Enclosure Installation Instructions

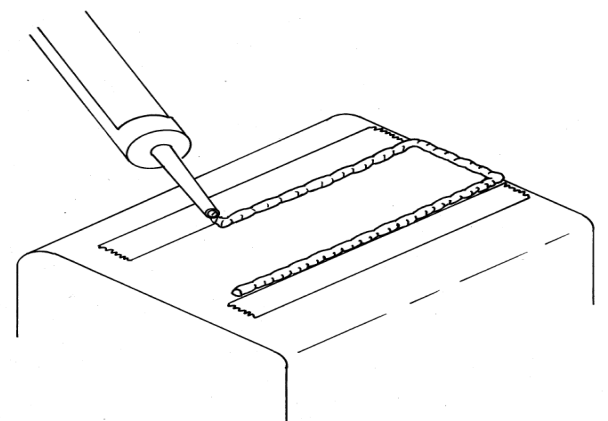
Installation Tools Required: Tape Measure, Masking Tape, Level, #2 Phillips Screwdriver, Drill with 1/8", 7/64" and 3/16" bits, hacksaw, pencil, clear silicone caulking. Optional: Miter Box, File and Center-Punch.



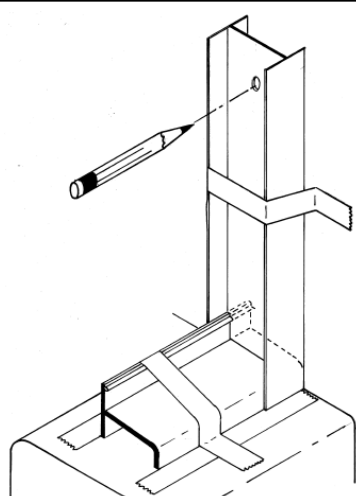
1 Measure the wall-to-wall opening at the center of the tub rim or shower curb. Cut the track [A] 1/16" short of this dimension. Center the track as shown and use masking tape to mark the edges and secure to the tub or shower



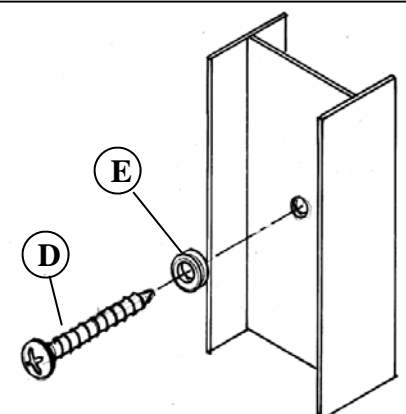
3 Remove the parts and drill 1/8" holes approximately 1 inch deep in each wall in the marked locations. In tile or marble walls, it may be necessary to drill 3/16" holes and insert the plastic wall plugs [C]. Using a caulking gun and a good grade of silicone, run two continuous beads of sealant inside the masking tape and inside the corners. To ensure a tight fit, force a slight downward bow in the tub track. Carefully replace the track and press firmly into the sealant.



2 Press each of the wall jambs [B] over the ends of the track. Plumb the wall jambs with a level and secure with masking tape. Use a pencil to mark the locations of the three holes in each wall jamb. If necessary, use a file to round the corners of the wall jambs and track to match the wall conditions.

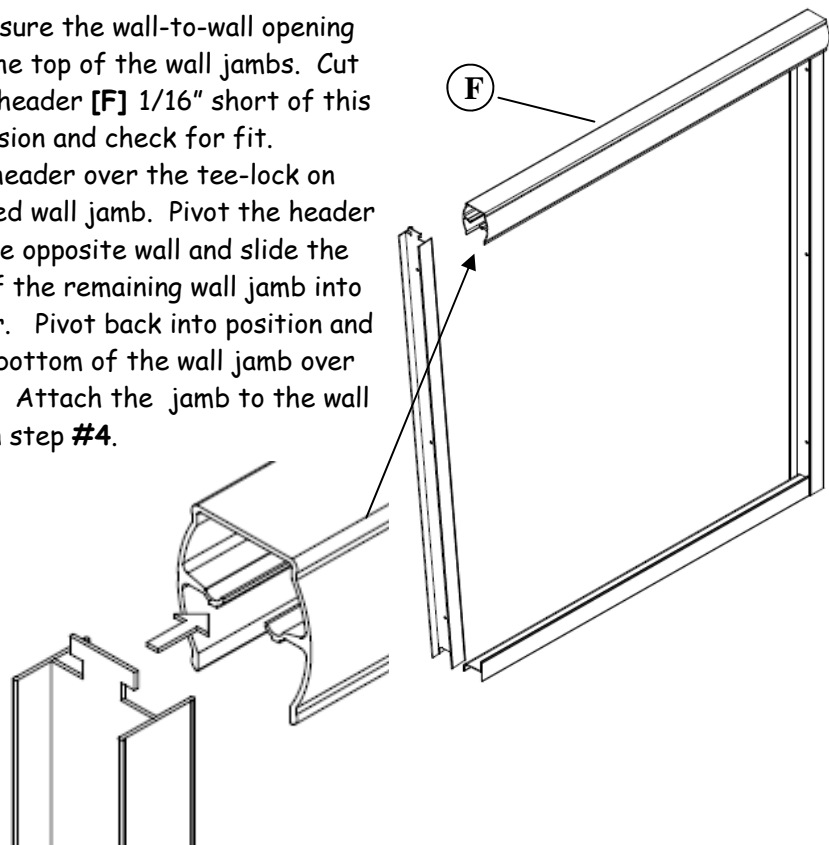


4 Replace one wall jamb and attach to the wall with two #8 x 1-1/2" truss head screws [D] through the top and bottom holes. Press a nylon spacer [E] over a third screw and install in the center hole. Check for plumb before tightening the screws.



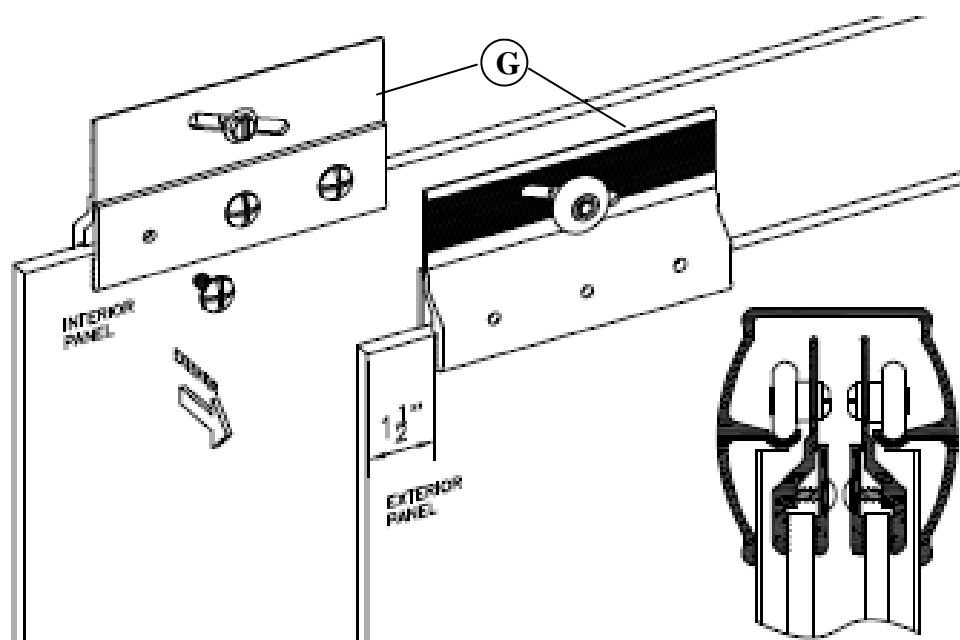
5 Measure the wall-to-wall opening at the top of the wall jambs. Cut the header [F] 1/16" short of this dimension and check for fit.

Slide the header over the tee-lock on the mounted wall jamb. Pivot the header to clear the opposite wall and slide the tee-lock of the remaining wall jamb into the header. Pivot back into position and press the bottom of the wall jamb over the track. Attach the jamb to the wall as noted in step #4.

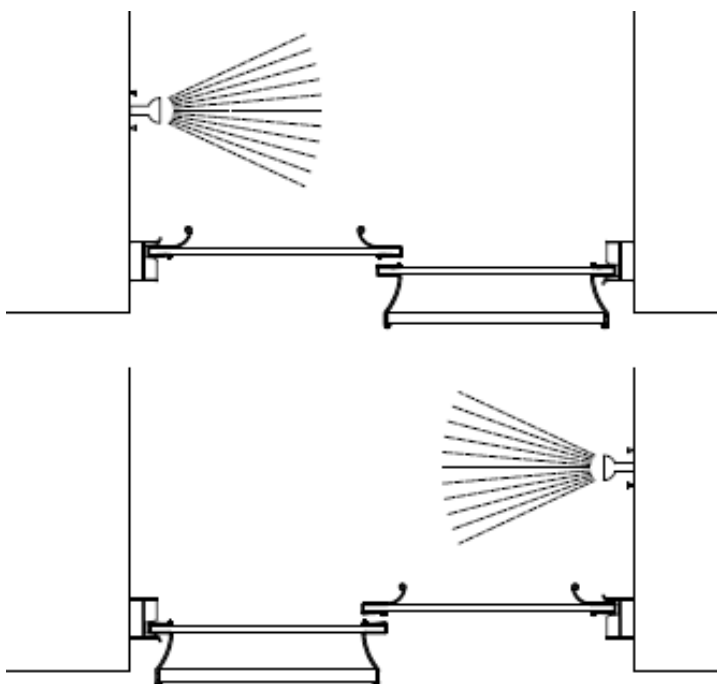


6 Obscure glass should be installed with the patterned surface to the exterior of the unit. Note the illustration below for the proper orientation of the hanger brackets [G] to create an interior and exterior panel.

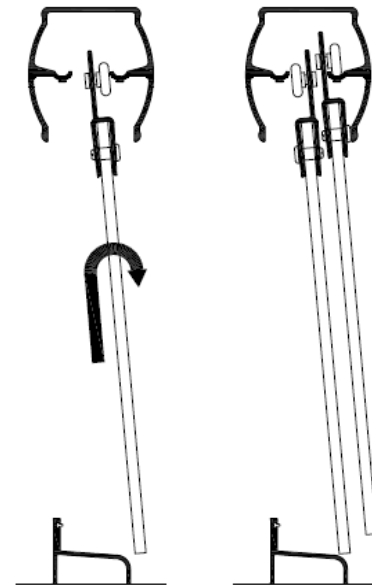
Slide the pre-assembled brackets onto the top of the glass approximately 1 1/2" from the edge. Tighten the three bracket screws evenly until the small bracket cover plate just begins to bend inward. Do not tighten beyond this point. Check the nylon roller bearings for tightness and proper location in the center of the slot.



7 Proper panel orientation should be determined before installing the door panels. To prevent leakage the interior panel should always be positioned closest to the shower head. As shown in the illustration below.



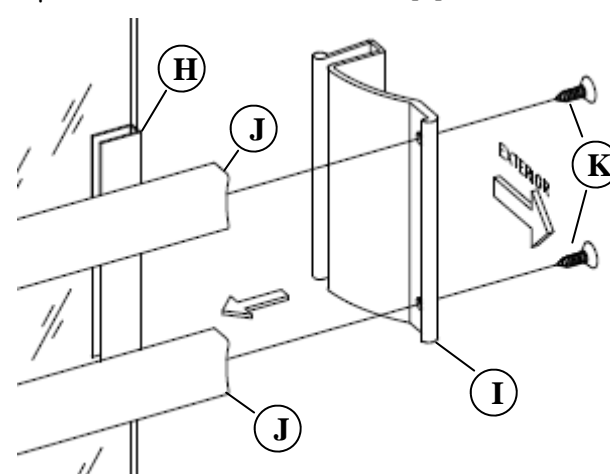
8 For units glazed with obscure glass, identify the interior and exterior panels. Rollers on the exterior panel are installed on the same side as the textured surface of the glass. Rollers on the interior panel are installed on the smooth side of the glass. For ease of cleaning, obscure glass is always installed with the textured surface to the exterior of the unit. Standing outside the tub or shower, lift the interior panel into the header as shown and position the rollers into the track in the header. Repeat for the exterior panel. Check for ease of operation and determine if the panels are parallel to the wall jambs. If the panel does not line up with the wall jamb, remove and adjust the rollers in the diagonal slot for proper alignment.



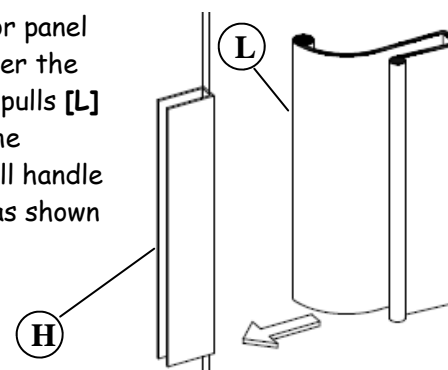
9 At the center of the exterior panel press two vinyl shims [H] over the glass then press two towel bar brackets [I] over the shims as shown in the illustration.

Insert a towel bar [J] between the brackets and attach with two #8 x 5/8" flat head screws [K].

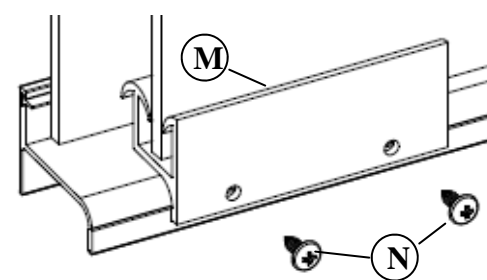
Repeat the procedure for the second towel bar.



10 At the center of the interior panel press two vinyl shims [H] over the glass then press two finger pulls [L] over the shims as shown in the illustration. Note that the longer pull handle must be to the interior of the unit as shown in the illustration in step #7.

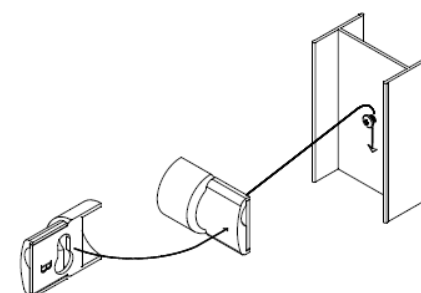


11 Locate the bottom guide [M] in the center of the track with the interior panel positioned as shown. Drill two mounting holes in the track with a 7/64" bit using the holes in the guide and the V-groove in the track to locate properly. Attach with two #6 x 3/8" pan head screws [N].



12 Note: There are 4 bumpers [O] for this unit. Use bumpers marked "L" for the left hand panel and bumpers marked "R" for the right hand panel as illustrated in step #7.

Install by pressing the lower portion of the "keyway" over the head of the screw and spacers installed in step #4 and pressing down.



Using a caulking gun (step #3) run a bead of clear silicone along the interior of the wall jambs and track. Seal the intersection of the wall jambs and the track. Allow the silicone to dry for 24 hours before use.

Clean your new Waterfall Enclosures with a soft cloth and a non-abrasive cleaner with a neutral Ph. Do not use acid based cleaners, vinegar or scouring pads to clean your unit.